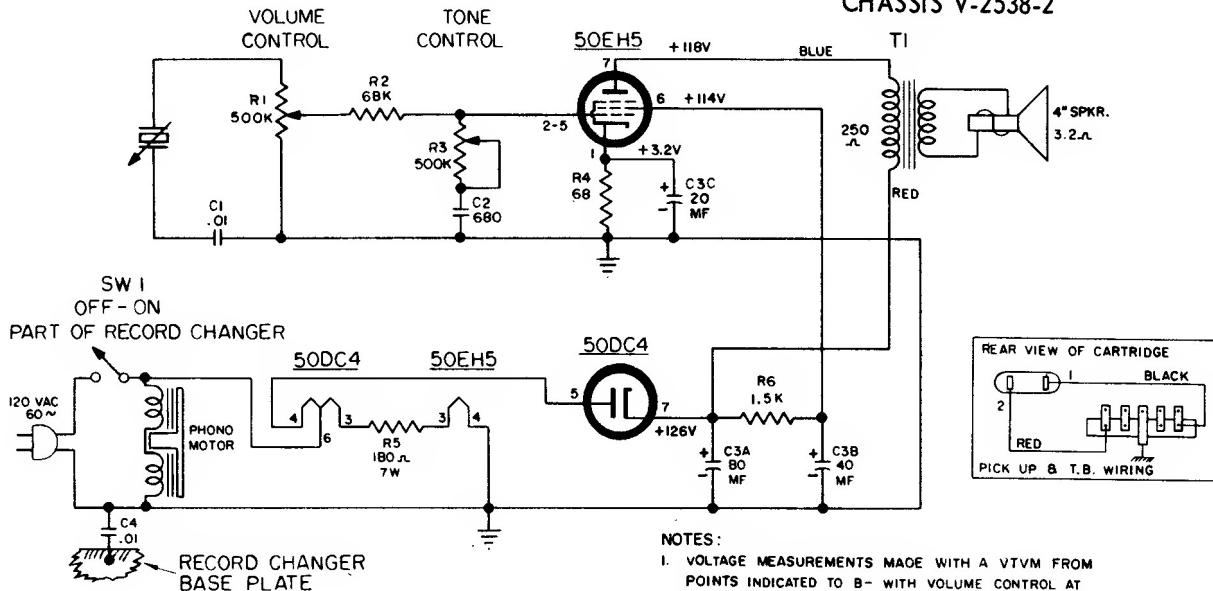


# Westinghouse

H-75AC1E (slate gray)  
 H-75AC2E (metallic mocha)  
 H-114AC1 (charcoal blue)

CHASSIS V-2538-2



## NOTES:

1. VOLTAGE MEASUREMENTS MADE WITH A VTVM FROM POINTS INDICATED TO B- WITH VOLUME CONTROL AT MINIMUM, LINE VOLTAGE AT 120 VAC.
2. UNLESS OTHERWISE INDICATED: ALL CAPACITANCE VALUES LESS THAN ONE ARE IN MICROFARADS AND VALUES GREATER THAN ONE ARE IN PICOFARADS, ALL RESISTANCE ARE IN OHMS 1/2 WATTS.